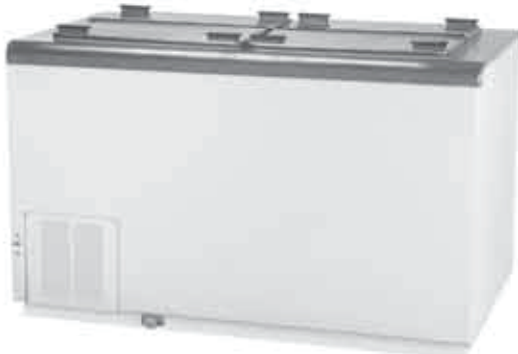




2SF



4DF



8DF

LOW TEMPERATURE CHEST CABINETS

Global's low temperature chest cabinets manufactured using the patented Kelvinator refrigeration design are legendary for quality, reliability, durability and top performance.

The chest cabinets are designed to be virtually maintenance free and provide whisper quiet operation via the radiant shell and non-clogging condenser.

The product line offers single and double row models in a variety of sizes.



All products are certified for energy , safety and sanitation. NSF/ ANSI 7 Standards

FEATURES

- Digital temperature controller with LED display
- Interior Cavity Temperature Range 0°F to -20°F
- Patented Kelvinator refrigeration design
- 20 gauge steel with white powder coat paint interior & exterior
- Stainless steel lids foamed in place with tight vinyl chamber guards
- Cold Wall Evaporator
- Manual defrost
- Bottom drain for easy cleaning
- Energy Star

ACCESSORIES

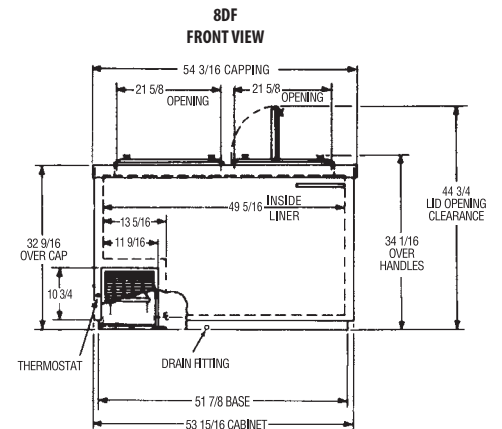
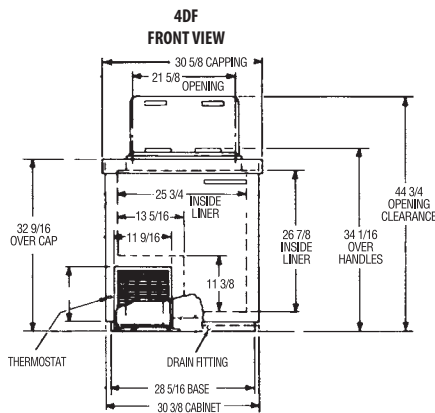
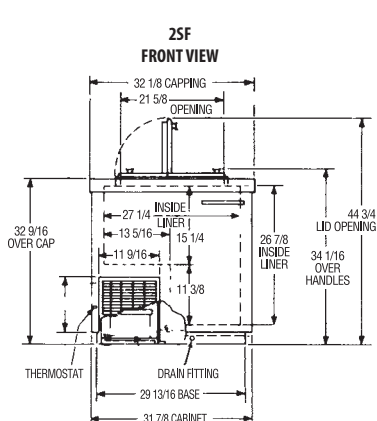
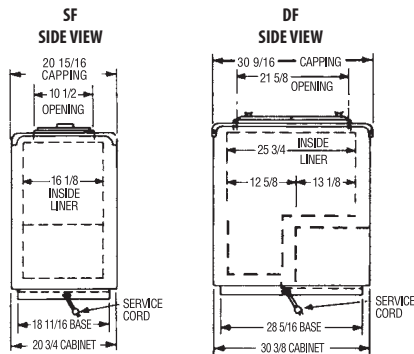
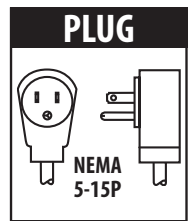
- Dipperwell Kit
- Dipperwell Adapter Kit
- Caster Kits
- Leg Kits
- Stainless Steel Exterior

LOW TEMPERATURE CHEST CABINETS

TECHNICAL DATA

MODEL	2SF	4DF	6DF	8DF
Temp Range	0°F to -20°F	0°F to -20°F	0°F to -20°F	0°F to -20°F
Exterior Dimensions				
Length	32.13"	30.63"	43.07"	54.19"
Depth	20.94"	30.56"	30.56"	30.56"
Height	34.06"	34.06"	34.06"	34.06"
Capacity				
Capacity (3-gal. tubs)	4	9	16	21
Facings (3-gal. tubs)				
Facings (3-gal. tubs)	3	6	9	12
Storage (3-gal. tubs)				
Storage (3-gal. tubs)	1	3	7	9
Compressor				
Compressor	Hermetic	Hermetic	Hermetic	Hermetic
Shipping Weight				
Shipping Weight	275 lbs.	300 lbs.	380 lbs.	395 lbs.
Condensor Type				
Condensor Type	Radiant Shell	Radiant Shell	Radiant Shell	Radiant Shell
Electrical				
Electrical	NEMA 5-15P	NEMA 5-15P	NEMA 5-15P	NEMA 5-15P
Rated Amps				
Rated Amps	4.0	4.5	4.5	6.0
Volts				
Volts	115/60/1	115/60/1	115/60/1	115/60/1

SPECIFICATIONS



Cabinet designed for optimum performance in air-conditioned area at 70°F to 75°F ambient temperature and 50% to 55% relative humidity.

Global Refrigeration, Inc., reserves the right to change specifications, terms, and prices without notice.

Global Refrigeration, Inc.

5855 Grant Avenue, Cleveland, OH 44105

888.650.9799

www.globalref.com